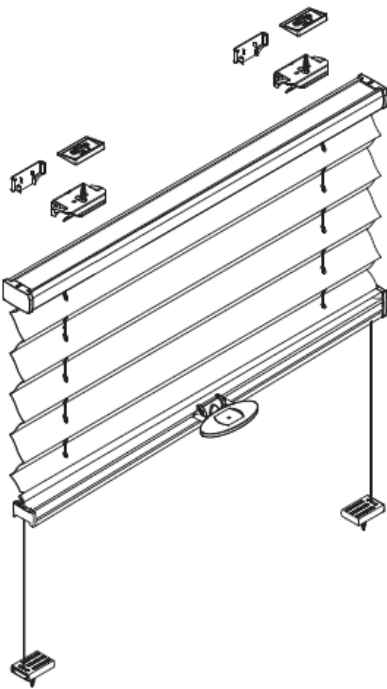


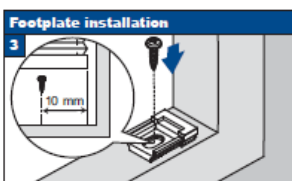
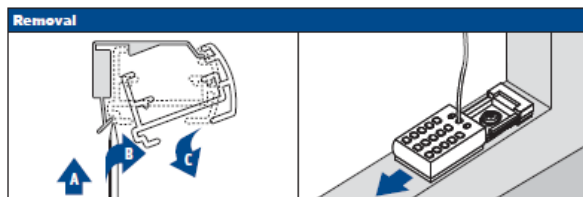
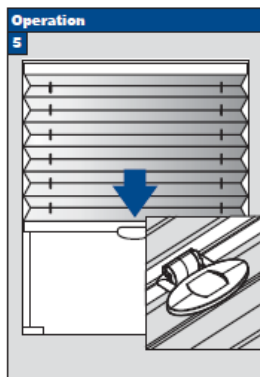
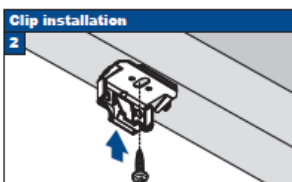
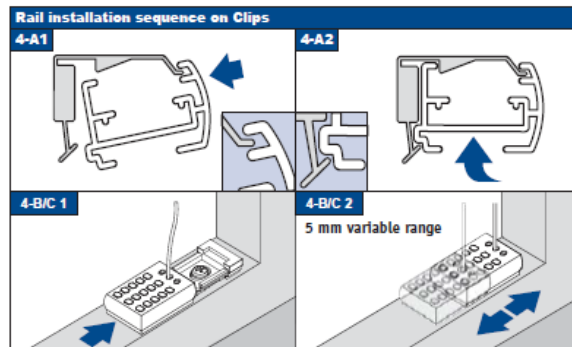
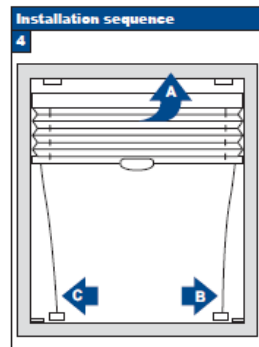
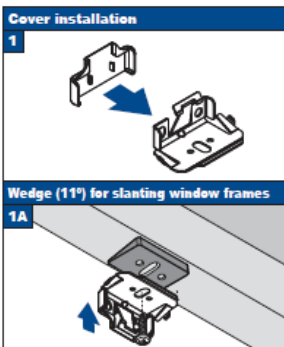
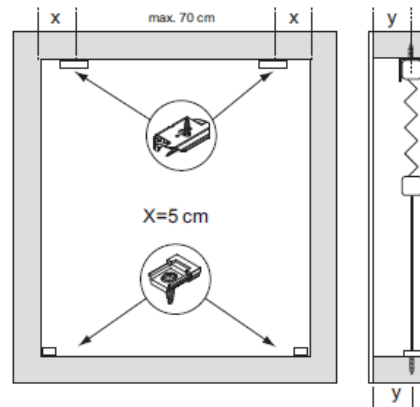
Honeycomb Lift Installation Guide

Checklist: You will need the following to perform the installation.

- Drill with hammer function for masonry (with 5.5mm drill bit).
- Screwdriver (use electric on lowest torque)
- Measuring tape
- Marker (pencil)
- Ruler (recommended)
- Step ladder
- Spirit level (recommended)
- Hammer (not required but ideal)
- Vacuum to clean dust from drilling



Product width	Number of parts				
0 - 80 cm					
81 - 150 cm	2	2	2	2	4
	3	3	3	2	5



Note: Some images might differ from actual product. Illustrative purpose only.